

## Features

- Modern design.
- Ceramic sink with overflow.
- Sink features counter space.
- Water resistant exterior vanity panels.
- 2 Soft-closing drawer.
- Black cabinet handles.

## Material

- White ceramic integrated sink.
- Engineered wood vanity base.

## Installation

- Wall mounted installation.

## Configurations

- Single hole.
- No hole (special order). Three
- hole (special order).

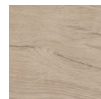


## Nameek's One-Year Limited Warranty

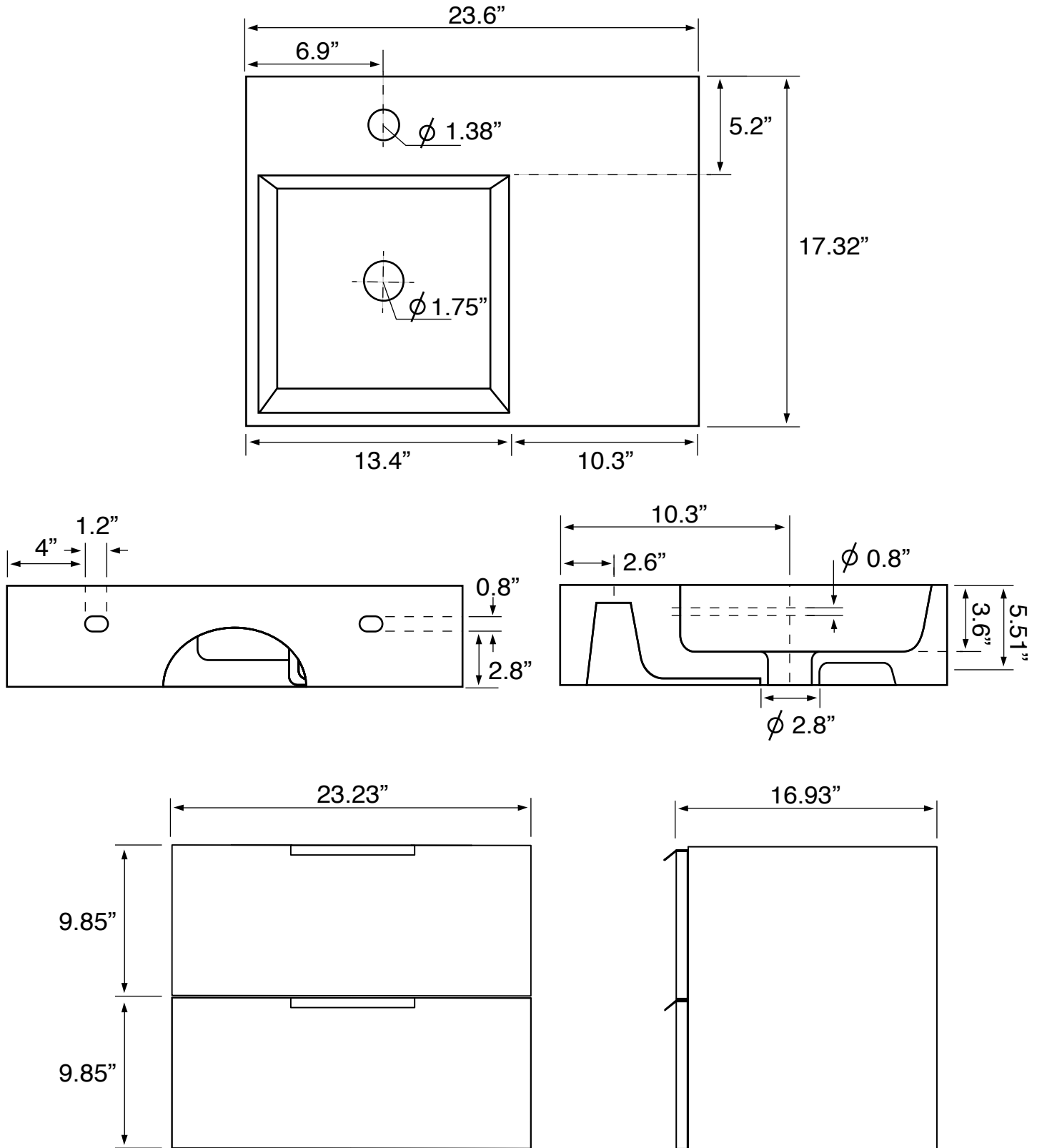
See website for warranty information details.

## Vanity Cabinet Color/Finish Details

Color	Description
-------	-------------

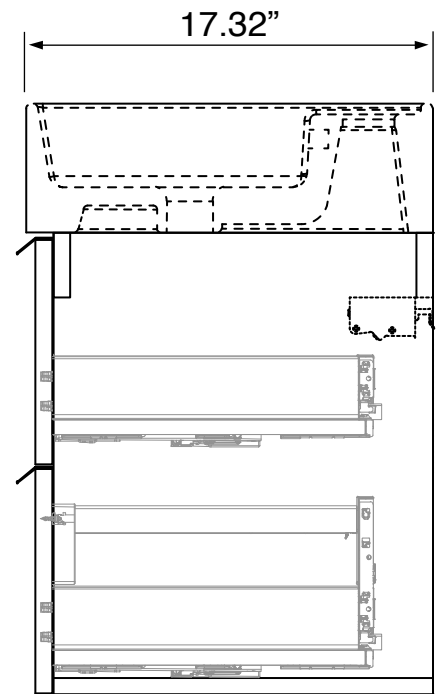
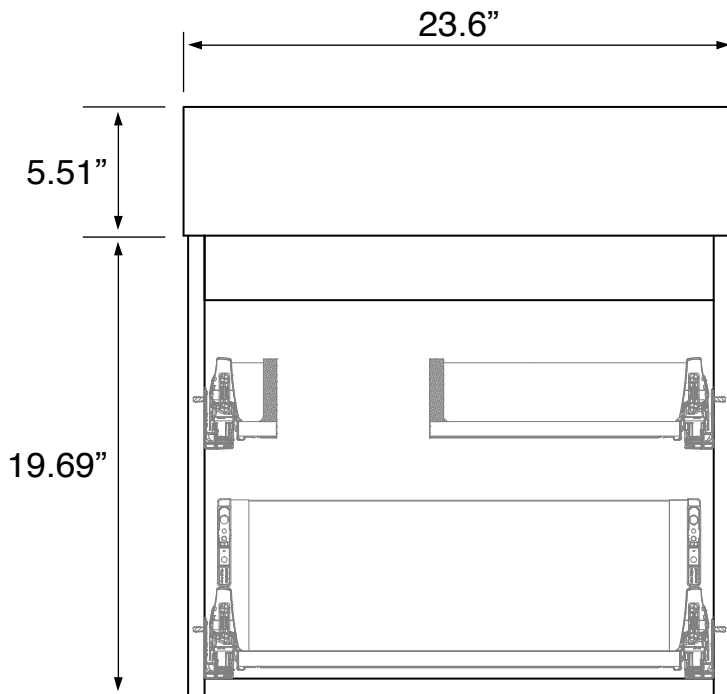


Brown Oak



USA/Canada: 215.256.4197

Nameek's reserves the right to make revisions without notice to product specifications.  
For more information, go to [www.nameeks.com](http://www.nameeks.com)



## Technical Information

Bowl type:	Single
Installation:	Wall mounted
Bowl dimensions:	Depth: 3.54" Width: 12.2" Length: 13.39"
Drain hole:	1.75"
Faucet hole:	1.38"
Hole configurations:	0, 1, 3
Weight:	130 lbs

## Notes

Install this product according to the installation instructions.

Includes mounting hardware.